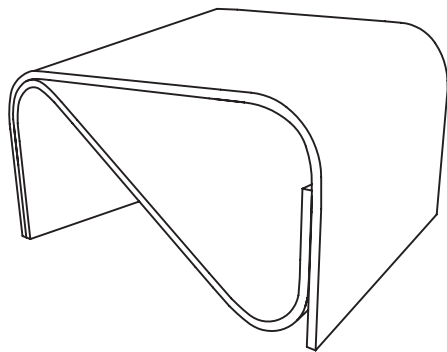


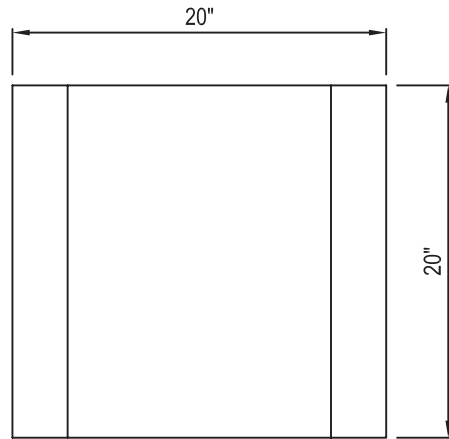


greenform llc.  
12900 prairie ave.  
hawthorne, ca 90250

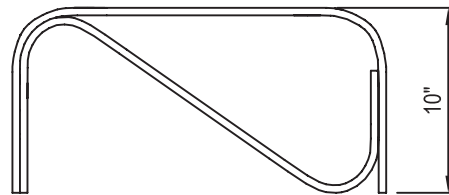
phone: 310.331.1665  
fax: 310.331.1533  
email: info@green-form.com  
www.green-form.com



ISOMETRIC VIEW

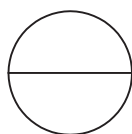


PLAN VIEW



SIDE VIEW

WEIGHT: 46 LBS.



**SITE FURNISHING**

SPONECK TABLE