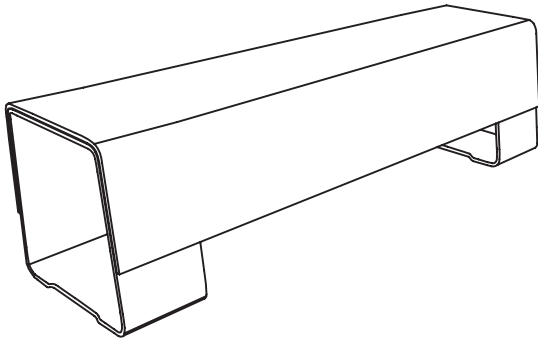


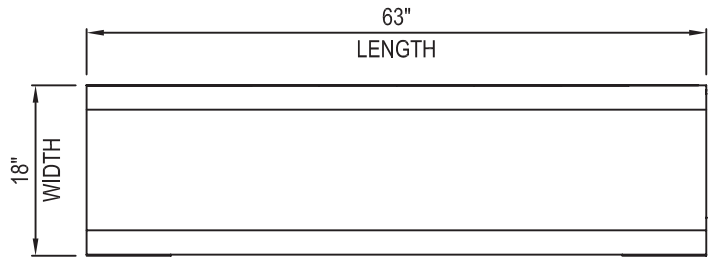


greenform llc.
12900 prairie ave.
hawthorne, ca 90250

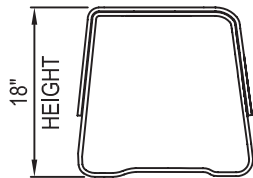
phone: 310.331.1665
fax: 310.331.1533
email: info@green-form.com
www.green-form.com



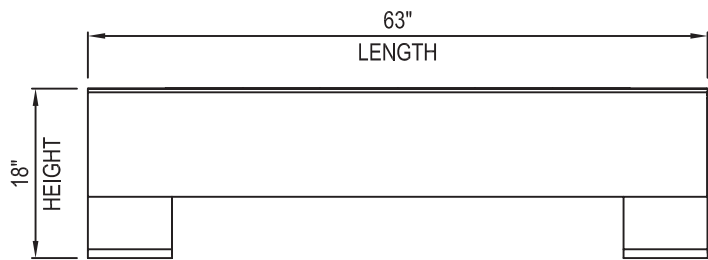
ISOMETRIC VIEW



PLAN VIEW

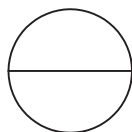


END VIEW



SIDE VIEW

WEIGHT: 95 LBS.



SITE FURNISHING

DIE BANK BENCH